



Since 1883

Conditioners



• WIDE RANGE •

• MODULAR DESIGN •

• ROBUST •

• STEAM JACKET •

• LOW / HIGH SPEED •

• LIQUID ADDITION •

Flexibility **THE CPM ADVANTAGE**

CPM offers you the optimum system for your entire conditioning requirement.

The optimum conditioning of feed ensures you to get **the highest performance** out of your CPM Pelleting equipment.

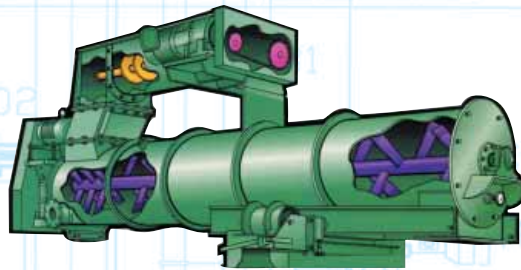


Since 1883

Your partner

CPM CONDITIONING EQUIPMENT *Specialised Solutions*

CPM conditioners provide the optimum preparation of feed stuffs prior to pelleting. The optimum conditioning of feed ensures you to get the highest performance out of a CPM pellet mill. The gain of good conditioning is a higher production throughput, better pellet durability and improved digestibility at reduced pellet mill power consumption. This makes it very worth while to study which CPM conditioner suits your production requirement best. All the CPM conditioners are made from stainless steel, have a very stable design and allow an easy installation on top of the pellet mill. A specially designed feeder screw feeds the conditioner with a controlled product quantity. A permanent magnet between the feeder screw and conditioner provides extra safety against tramp metal. The conditioner is equipped with a specially designed mixing shaft. The mixer barrel provides special inlet ports for steam, molasses and other type of liquids.



THE CPM ADVANTAGE *(Flexibility)*

CPM manufactures conditioners which fit into a number of important categories:

- CONDITIONERS FOR LIQUID AND STEAM MIXING
- CONDITIONERS FOR LONG RETENTION TIME
- RIPENING VESSELS
- CONDITIONERS FOR SPECIAL HEAT TREATMENT



CONDITIONERS FOR LIQUID AND STEAM MIXING

Conditioners for liquids and steam addition like the **CPM mixer type LL** with fast running mixer shafts are the most common conditioners in feed milling industries. They are being applied in all conventional animal feed applications before pelleting. Because of their limited size these types of conditioners fit easily into every feed mill situation.

The typical application is a product conditioning temperature between 50 and 70 °C. Molasses can be added up to 8% and 2% water. The product holding time is typically 20 sec. at 15 Tons per hour production.

CONDITIONERS FOR LONG RETENTION TIME

Conditioners for long retention time like the **CPM mixer type LL-X** and **LT** have large mixing barrels and typical slow running mixing shafts. They are being applied in modern production facilities for primarily poultry and pig feeds. The long product retention time has an advantageous effect on especially the gelatinization of starch particles in the feed.

The typical application is a product conditioning temperature between 70 and 90°C. Molasses can be added up to 4% and 2% water. The product holding time at the CPM LT conditioner is typically 30 sec. at 25 Tons per hour production.



Hygieniser



Multi Purpose Mixer Body



Jacketed Mixer Type LL



Retention Vessel Type Sirt

in productivity

RIPENING VESSELS

Ripening Vessels like the CPM 3 - and 7 cubes, have specially been designed to provide very long soaking time for molasses and other liquids in the feed. They are typically being applied in ruminant feeds. The molasses and steam are added to the feed in a fast running mixer type CPM LL. The **CPM ripening vessel** provides a slow stirring shaft which transport the feed to the vessel outlet. The typical application is a product conditioning temperature between 50 and 60°C. Molasses can be added up to 15% and 2% water. The product holding time at the CPM LT conditioner is typically 12 min. at 15 Tons per hour production.



CONDITIONERS FOR SPECIAL HEAT TREATMENT

Conditioners for special heat treatment like the **CPM SIRT** and **CPM Hygieniser** provide a First in First out product flow which guarantees each product particle obtains the identical treatment. This makes subject equipment very suitable for Hygienic feed production. Liquids and steam are added to the feed in a fast running mixer type CPM LL. The CPM SIRT and Hygieniser provide special construction details which transport the feed in precisely the required retention time to the product outlet. The typical application is a product conditioning temperature between 70 and 90°C. The CPM SIRT provides a product holding time up to 10 min. at 20 Tons per hour production. The CPM Hygieniser handles Molasses up to 6% and 2% water and provides a product holding time up to 4 minutes at 15 Tons per hour production.



STEAM ADDITION

Steam enters the mixer barrel through an inventive steam manifold. This steam manifold is made in such way that the added steam condensates immediately on the product. A special mixing paddle array under the mixer inlet flange functions as a steam lock which prevents any steam escape to the feeding bin. The self aligning mixer shaft bearings are protected by a very effective, heavy duty sealing arrangement which guarantees a very long service life of the bearings.

THE CPM PADDLE ARRANGEMENT

This conditioner is equipped with mixer paddle plates which allow a very precise trim to the mixer wall. The precise paddle adjustment ensures that the conditioner is effectively cleared after each production run. A special spider arrangement at the mixer outlet provides a very stable feeding of the pellet mill. The LT mixer is driven by a gear motor which is directly installed on the mixer shaft.

THE CPM STEAM JACKET

The CPM steam jacket can be installed on the conditioners manufactured by CPM. The steam jacket prevents any steam condensation against the inner mixer wall. Therefore the mixer barrel stays absolutely dry which keeps the mixer very clean.

THE CPM FEEDER SCREW

The CPM product feeder screws type CPM LL 9.5" and LL 12" fit precisely on top of all available CPM Conditioners. The permanent magnet holder in between the feeder and mixer provides additional safety against tramp metal in the feed. The magnet can be cleaned very easily. The CPM Feeder Type LL9.5 is typically applied up to 20 tons per hour feed production. The CPM feeder type LL12 can be applied up to 40 tons per hour feed production.



Feeder Screw



High-Density Magnet



Mixer Steam Lock



Steam Addition Manifold



Mixer Outlet Spider Arrangement



Long Life Adjustable Bearings

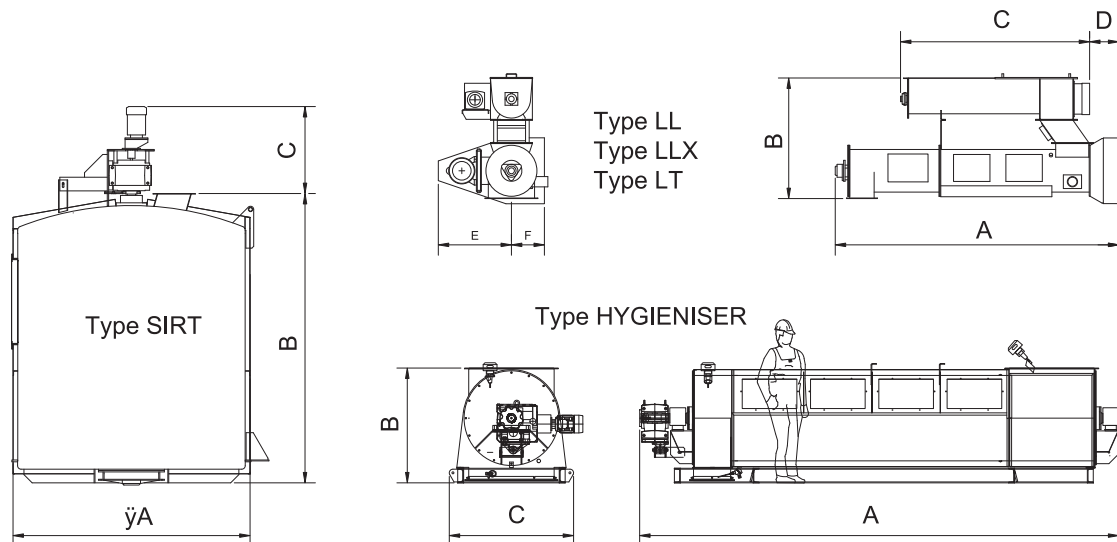


Since 1883

Conditioners

MODULAR DESIGN

CPM Conditioners are available in a variety of sizes and drive power to match your conditioning requirements.



DIMENSIONS CPM CONDITIONERS

Type	A	B	C	D	E	F
LL	2465	1325	2080	320	805	360
LLX	3115	1325	2080	320	805	360
LT	3900	1690	2080	570	835	410
HYGIENISER 24	4525	950	900			
HYGIENISER 36	5265	1255	1365			
SIRT	2600	3180	955			

WORLD-WIDE

CPM offers service through a world wide network of local agents in nearly every country. They get supported directly from the regional headquarters by teams of pelleting technology specialists.

SALES DEPARTMENTS

Our establishments are staffed with qualified sales, engineering and service personnel and are well stocked with dies, parts and accessories. This ensures prompt efficient processing of all customer service requirements.

CONTACT

Please feel free to contact your local agent, our offices or our Internet sites www.cpmeurope.nl or www.cpmroskamp.com.



CPM/Europe BV
 Distelweg 89
 1031 HD Amsterdam
 The Netherlands
 +31 20 494 61 11 Phone
 +31 20 636 42 94 Fax
 info@cpmeurope.nl

Roskamp Champion
 2975 Airline Circle
 Waterloo, IA 50703 - USA
 +1 319 232-8444 Phone
 +1 319 236-0481 Fax
 800 366-2563
 sales@cpmroskamp.com

California Pellet Mill Co.
 1114 E. Wabash Avenue
 Crawfordsville, IN 47933-USA
 +1 765 362-2600 Phone
 +1 765 362-7551 Fax
 800 428-0846
 sales@cpmroskamp.com

CPM/Pacific Private Ltd.
 21, Gul Drive
 Singapore 629470
 Republic of Singapore
 +65 6 265 07 01 Phone
 +65 6 268 64 28 Fax
 cus.svc@cpmasia.com